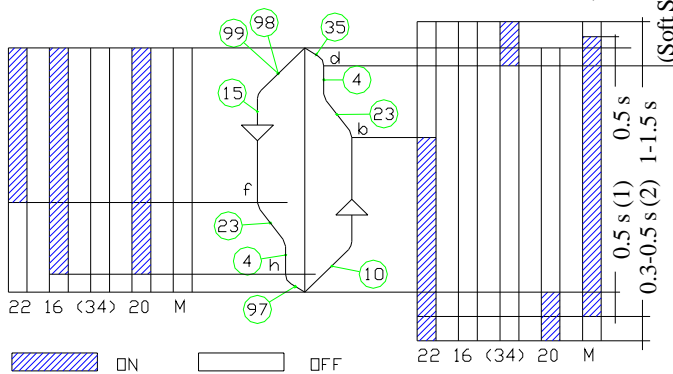
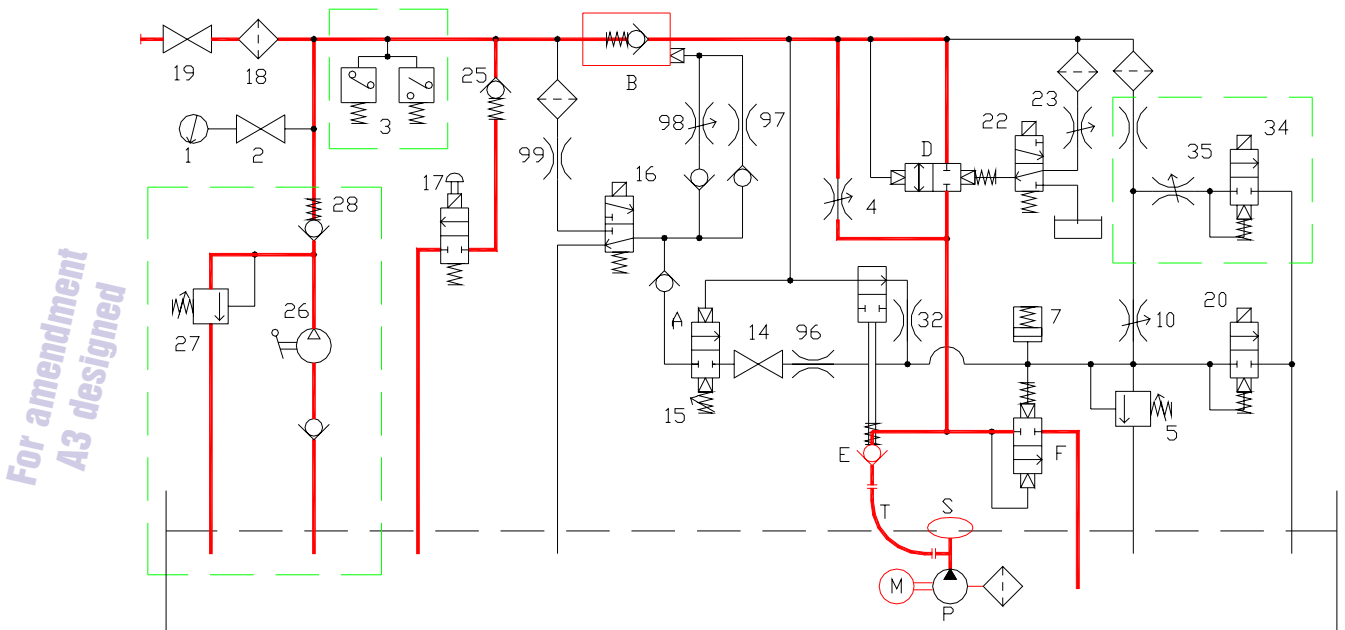


- 1 Gauge
- 2 Gauge cut-out cock
- 3 (Pressure switches)
- 4 Low speed adjusting screw  
- clockwise decrease (-) - anticlockwise increase (+)
- 5 Maximum pressure valve adjusting screw  
- clockwise increase (+) - anticlockwise decrease (-)
- 7 (mechanical starting)
- 10 Upward start time adjusting screw  
- clockwise increase (+) - anticlockwise decrease (-)
- 14 Test fastening screw
- 15 Downward speed adjusting screw  
- clockwise increase (+) - anticlockwise decrease (-)
- 16 Downstroke solenoid valve
- 17 Emergency downstroke pushbutton
- 18 Filter
- 19 Valve cut-out cock
- 20 2° Downstroke and Upward starting solenoid valve
- 22 Speed shift solenoid valve
- 23 Speed shift time adjusting screw  
- clockwise increase (+) - anticlockwise decrease (-)
- 25 Emergency downstroke minimum pressure valve
- 26 (Hand pump)
- 27 (Hand pump safety valve adjusting screw)  
- clockwise increase (+) - anticlockwise decrease (-)
- 28 (Hand pump non-return valve)
- 29 Speed shift valve arrest screw (\*)
- 30 Safety valve arrest screw (\*)
- 34 (Upward stop solenoid valve (Soft Stop))
- 35 (Upward stop time adjusting screw)  
- clockwise increase (+) - anticlockwise decrease (-)
- 98 Downward start time adjusting screw  
- clockwise increase (+) - anticlockwise decrease (-)
- 96-97-99 Throttles
- A) Pressure regulator assembly
- B) Pilot - operated non-return valve
- D) Speed shift valve
- E) Pump non-return distributor valve
- F) Upward starting and safety valve
- M) Asynchronous Motor
- P) Pump
- S) Pump silencer
- T) Flexible pipe
- (\*) THIS VALVE IS FACTORY SET. ADJUSTMENT SHOULD ONLY BE CARRIED OUT VIA THE MANUFACTURE'S TECHNICAL SPECIFICATIONS

The devices in brackets are optional



- h - Downward stop contact
- f - Downward starting reducing speed contact
- d - Upward stop contact
- b - Upward starting reducing speed contact
- (1) Or motor starting time (Soft Starter contact)
- (2) Motor starting delay time



**VALVE ASSEMBLY AND DIAGRAM  
PUMP UNIT  
93/E - 2DS**



**Start Elevator**

**03 132 / G**

**rev. 4**

**1/1**