

PISTON TYPE	ØT [mm]	ØP [mm]	SEAL	SCRAPER	OR
80	120	8	B 393314	WRM 314362	243
150	202	10	B 669590/1	WRM 590637	263

**ASSEMBLY
PISTON HEAD TYPE
80 - 150**

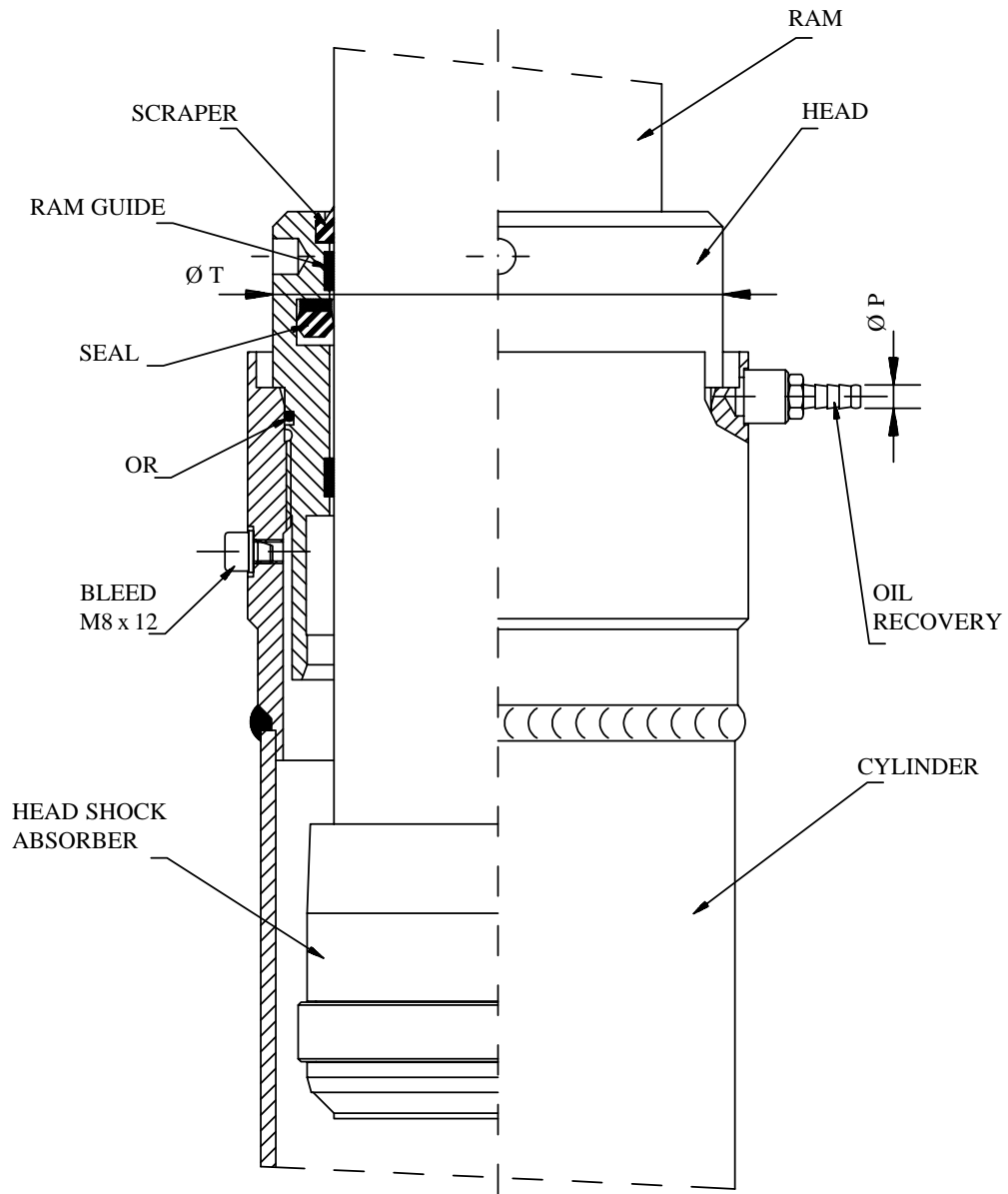


Start Elevator Srl

09 141 / G

rev. 2

1/1



PISTON TYPE	ØT [mm]	ØP [mm]	SEAL	SCRAPER	OR
60	100	8	B 314236	WRM 236267	238
70	100	8	B 354275	WRM 275307	238
90	126	8	B 433354	WRM 354401	245
100	137	8	B 472393	WRM 393440	249
110	151	8	B 511433	WRM 433480	253
120	159	10	B 551472	WRM 472519	256
130	176	10	B 590511	WRM 511559	259
180	244	10	B 826708/1	WRM 708767	372

**ASSEMBLY
PISTON HEAD TYPE
60 - 70 - 90 - 100 - 110 - 120 - 130 - 180**



Start Elevator Srl

09 151 / G

rev. 1

1/1